

ASSEMBLING INSTRUCTION

KIT REAR FENDER

HONDA INTEGRA 700 (12-13)
 HONDA INTEGRA 750 (14-15)(16-20)
 HONDA NC 700X/700S (12-13)
 HONDA NC 750X/750S (15-21)

HI7 PARAF

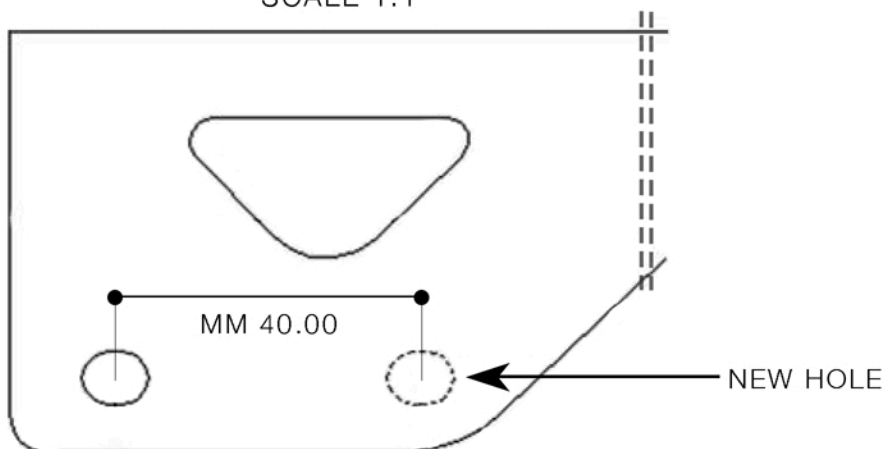
WWW.BARRACUDAMOTO.COM

LEGEND

- | | | |
|--|--|--|
| <p>1. ALUMINUM CHAIN COVER
 COPRICATENA IN ALLUMINIO
 CUBRECADENA DE ALUMINIO
 ALUMINIUM-KETTENABDECKUNG
 COUVRE-CHAÎNE EN ALUMINIUM</p> | <p>3. M6X10 SCREW
 VITE M6X10
 TORNILLO M6X10
 M6X10 SCHRAUBE
 VIS M6X10</p> | <p>5. M5X12 SCREW
 VITE M5X12
 TORNILLO M5X12
 M5X12 SCHRAUBE
 VIS M5X12</p> |
| <p>2. ABS REAR FENDER
 PARAFANGO POSTERIORE IN ABS
 GUARDABARROS TRASERO ABS
 ABS KOTFLÜGEL HINTEN
 AILE ARRIÈRE ABS</p> | <p>4. M6X14 SCREW
 VITE M6X14
 TORNILLO M6X14
 M6X14 SCHRAUBE
 VIS M6X14</p> | |



HOLES SCHEME FOR 750 MODEL
 SCALE 1:1



NOTE FOR 750 MODEL:
 CUT "HOLES SCHEME FOR 750 MODEL", APPROACH IT ON THE BARRACUDA CHAIN COVER AND MAKE THE HOLE LIKE SHOWN IN THE PICTURE AT THE SPECIFIED DISTANCE